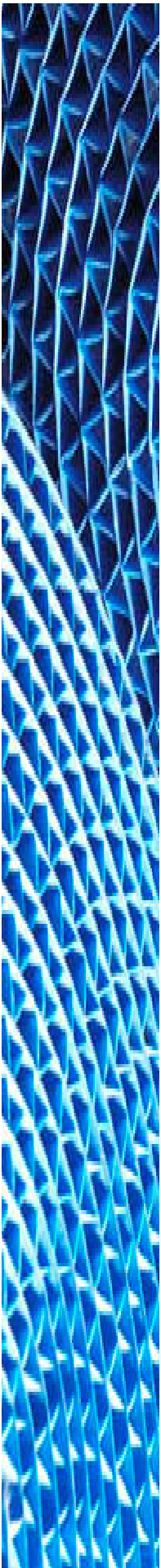




# PowerCore®

**Smaller. Smarter Collectors.™**



Traditional Baghouse

**Torit PowerCore**  
**50-70% SMALLER**

## Baghouse Breakthrough

Think all baghouse dust collectors and filters are the same? Not anymore.



Torit® PowerCore® dust collectors collectors with PowerCore® filter filter packs are the first major baghouse enhancement in decades. Well-proven in engine engine filtration and backed by 100 pending and issued patents, patents, smarter Torit PowerCore PowerCore technology is now at at your fingertips.

Only from Donaldson Torit, these smaller sized collectors save floor space, allow point-of-use collection, require less steel, reduce transportation costs, demand less maintenance and deliver better filtration.

Just one 7-in. PowerCore filter pack replaces six 8-ft. filter bags. **Smaller is smarter.**

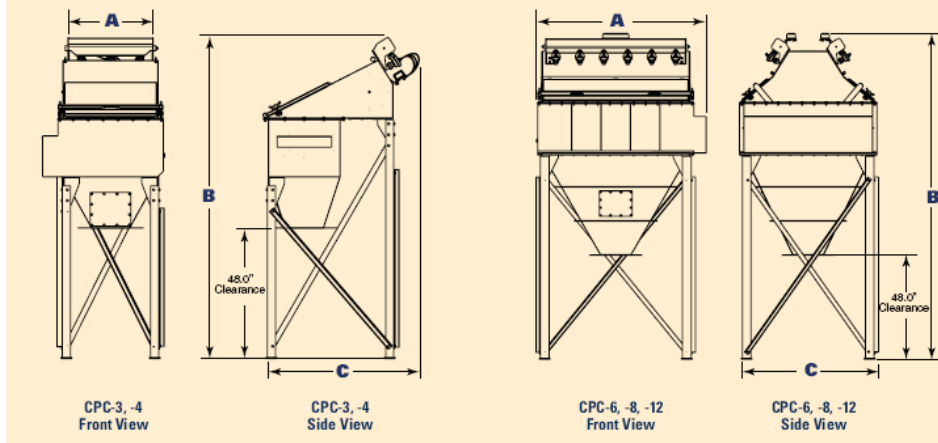


**For more information contact:**  
**Process Environments I, Ltd, LLP**  
**Toll Free: 1-800-495-2249**  
**Website: [www.processenvironments.com](http://www.processenvironments.com)**

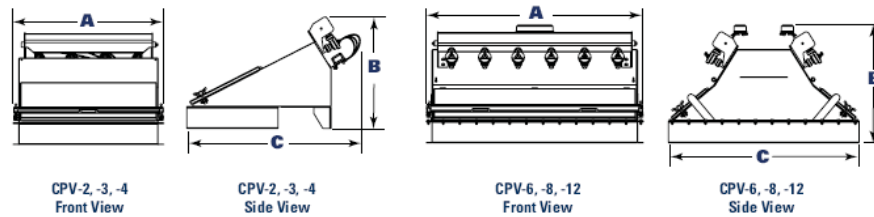
# Torit PowerCore Dimensions & Specifications



## MODELS CPC-3 through CPC-12 SHOWN



## MODELS CPV-2 through CPV-12 SHOWN



Model	Nominal Airflow Range* (cfm)	No. of Filter Pacs	PowerCore Filter Area (ft <sup>2</sup> )	No. of Valves	Shipping Weight (lbs)	Dimensions (inches)		
						A	B	C
CPC-3	800 – 2,010	3	201	3	900	45.0	118.1	57.4
CPC-4	1,070 – 2,680	4	268	4	1,100	56.0	127.1	58.1
CPC-6	1,600 – 4,020	6	402	6	1,300	44.4	141.6	65.2
CPC-8	2,140 – 5,360	8	536	8	1,685	55.4	140.3	65.2
CPC-12	3,220 – 8,040	12	804	12	2,100	77.4	149.3	65.2
CPC-16	4,280 – 10,720	16	1,072	16	2,915	84.2	169.2	83.5
CPC-24	6,440 – 16,080	24	1,608	24	3,880	126.2	152.2	83.5
CPC-32	8,560 – 21,440	32	2,144	32	5,310	168.2	169.2	83.5
CPC-48	12,880 – 32,160	48	3,216	48	7,760	252.2	169.2	83.5
CPV-2	540 – 1,340	2	134	2	320	27.8	36.9	56.4
CPV-3	800 – 2,010	3	201	3	400	38.8	36.9	57.3
CPV-4	1,070 – 2,680	4	268	4	500	49.8	36.9	58.0
CPV-6	1,600 – 4,020	6	402	6	655	38.8	38.1	63.0
CPV-8	2,140 – 5,360	8	536	8	800	49.8	38.1	63.0
CPV-12	3,220 – 8,040	12	804	12	1,130	71.8	38.1	63.0

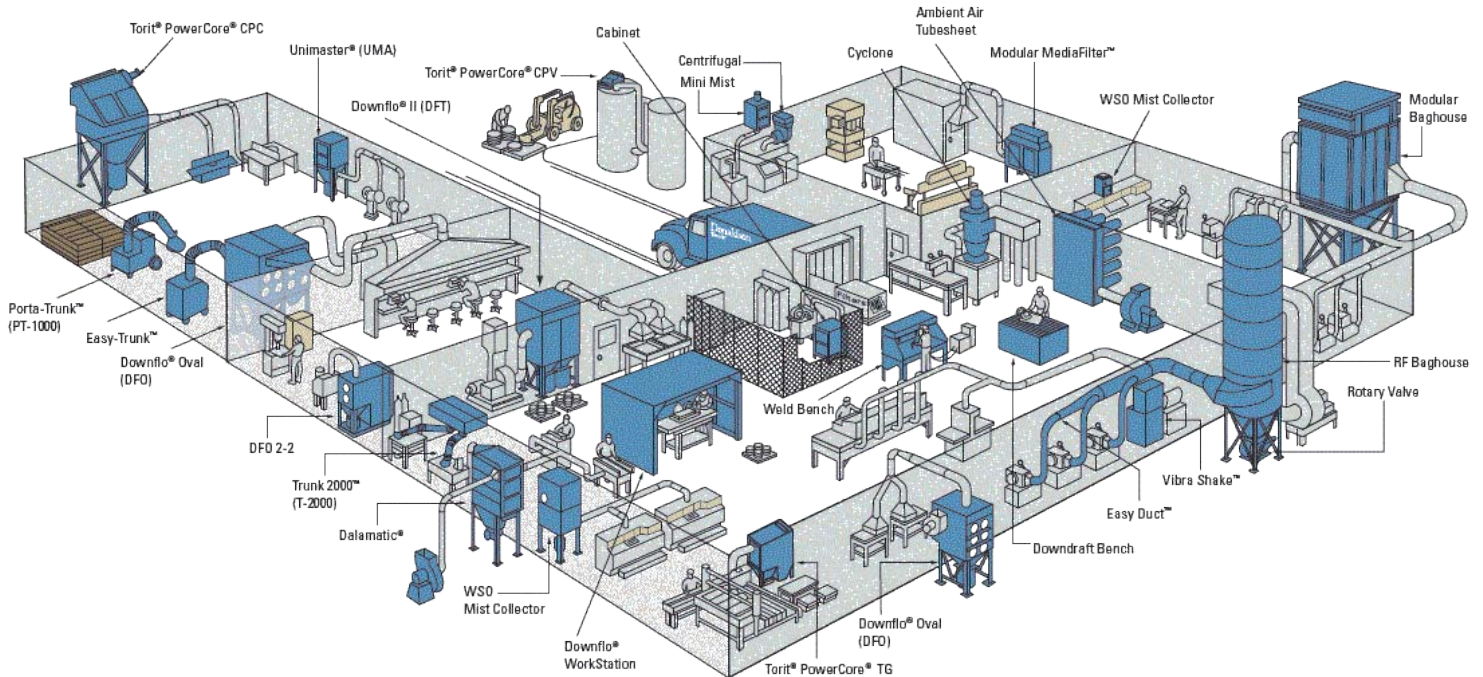
\*Based on clean filters.



# PROCESS ENVIRONMENTS

## Air Filtration Systems for Industry

Dust Collection • Fume Extraction • Mist Control • General Ventilation  
System Design • Ductwork • Sheet Metal Fabrication  
Turn-Key Installations • Replacement Parts & Filters • Maintenance Contracts



**Donaldson**  
**Torit**

**Industrial**  
**Air** Technology Corp.

HOUSTON • AUSTIN

CORPORATE OFFICE  
406 Newport Blvd. League City, TX

Phone: (281) 316-2500 Toll Free: (800) 495-2249 Fax: (281) 526-2501

Website: [www.processenvironments.com](http://www.processenvironments.com) Email: [peimail@processenvironments.com](mailto:peimail@processenvironments.com)